

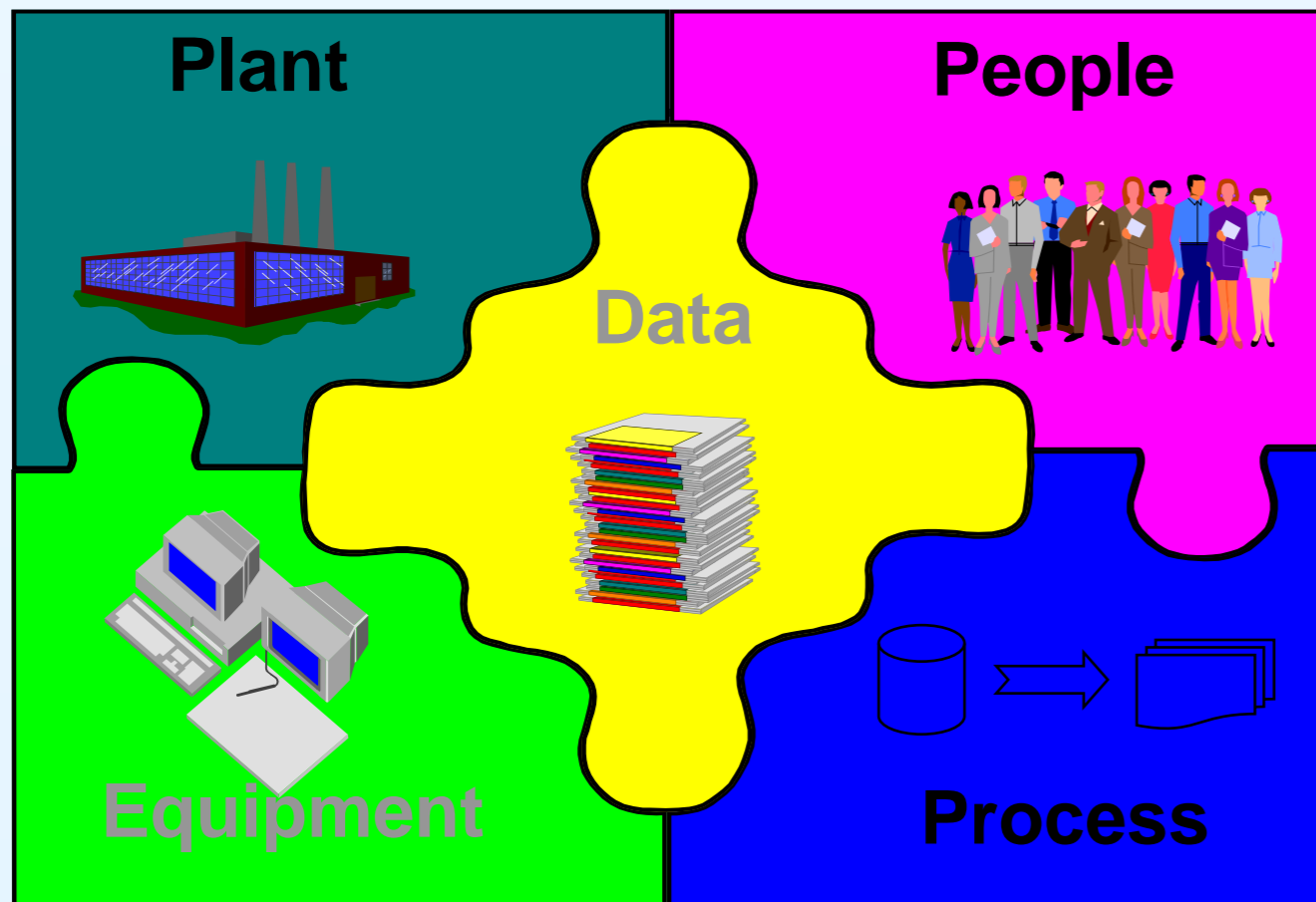
# ENGM 670 Advanced Topics in Engineering Management: Advanced Product Modeling and Production Engineering

Winter Term of Academic Year 2011/2012 (T,R, 9:30 – 10:50AM)

Dr. Y.-S. Ma, Associate Professor

Email: [yongsheng.ma@ualberta.ca](mailto:yongsheng.ma@ualberta.ca) Tel: (780) 492 4443 Fax: (780) 492 2200

## Computer-aided engineering software modeling and implementation



Engineering information modeling and implementation methodology; Overview of collaborative product development processes; Product and process planning, development and implementation

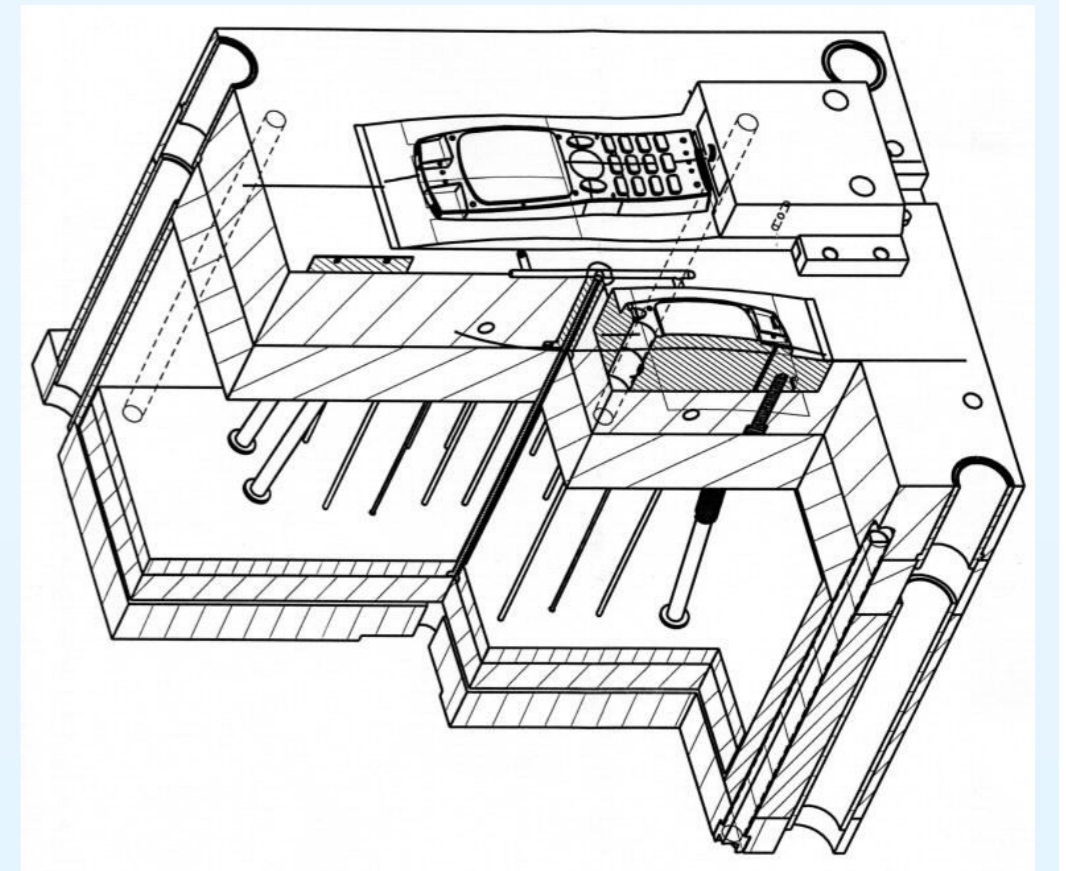
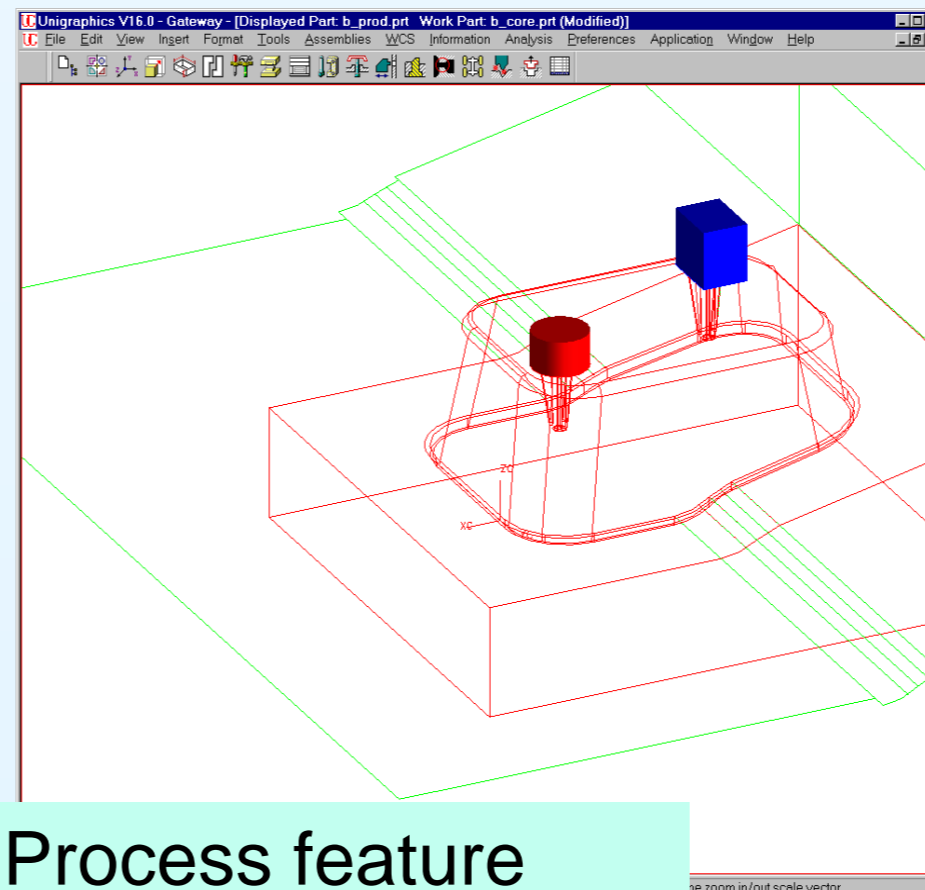


## Feature-based product modeling development

Multi-view product feature definitions, modeling, and implementation; Product knowledge representation; Feature representation and new extensions; Principles of Concurrent Engineering



## Feature-based manufacturing process modeling



• Process feature definitions, modeling, and implementation;

• Computer Aided Process Planning

• Engineering data integration

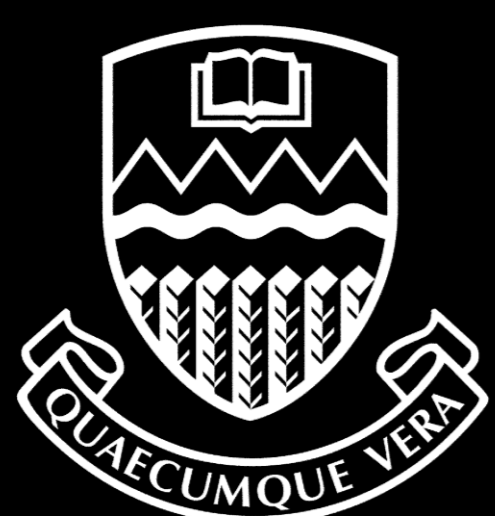
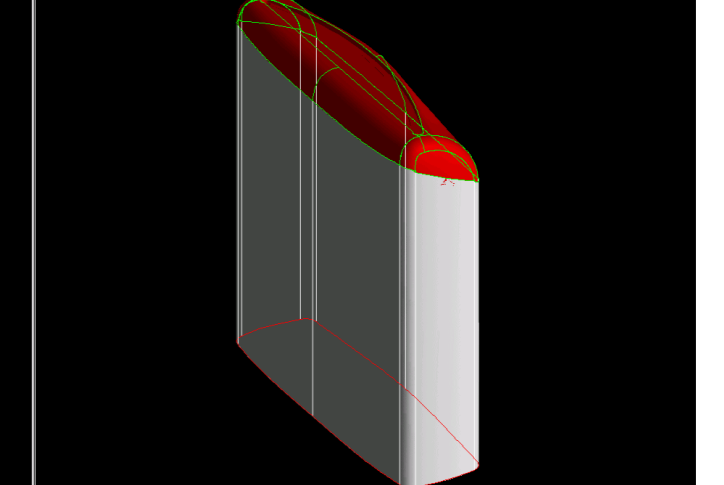
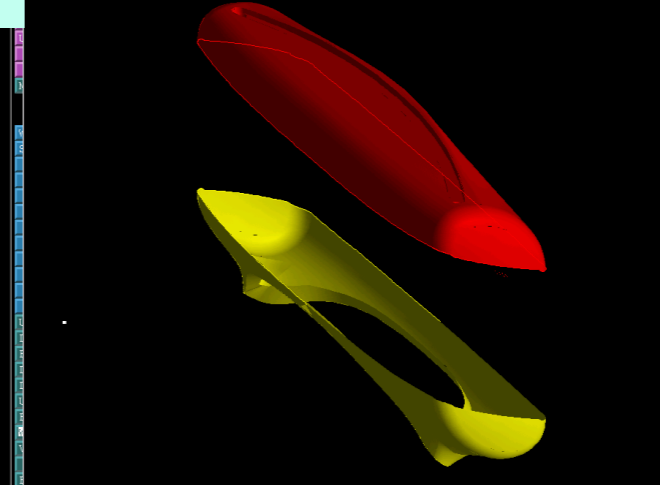
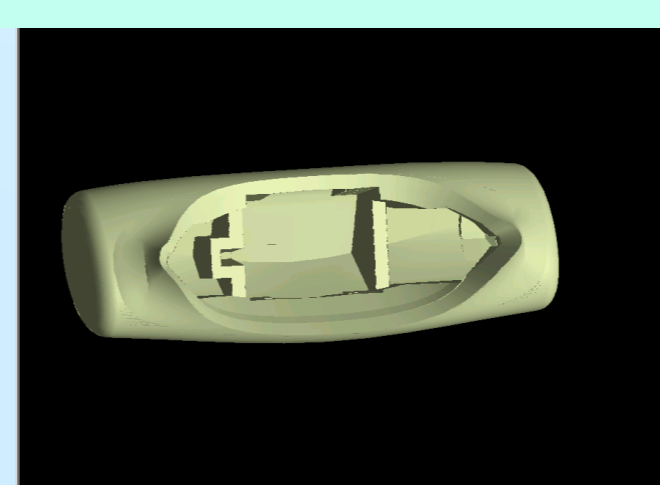
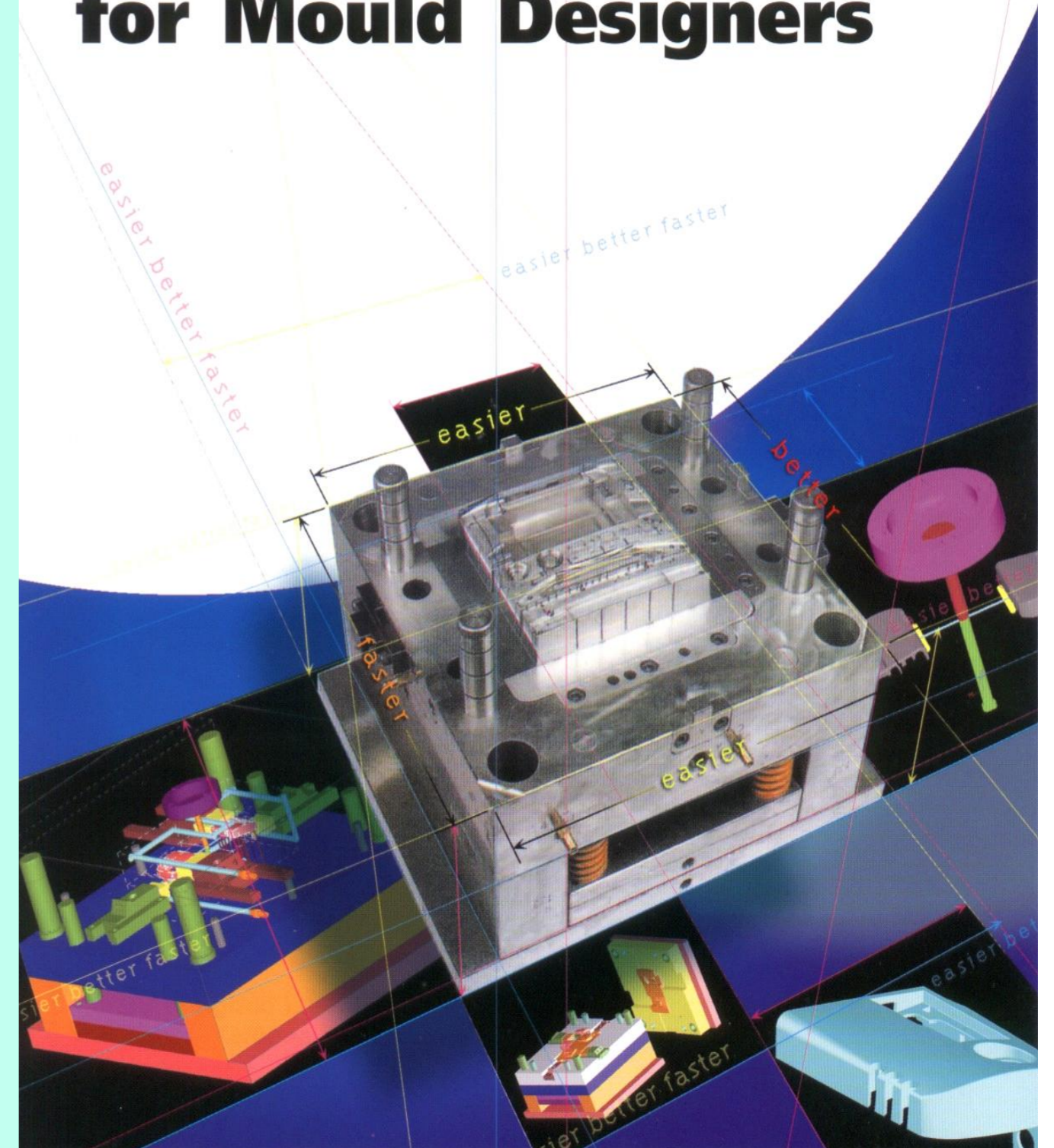
• Production system engineering

• System integration in production engineering

• Advanced product and process engineering

• Informatics with networked collaboration

## A 3D Design Productivity Tool for Mould Designers



University  
of  
Alberta

Department of  
Mechanical Engineering