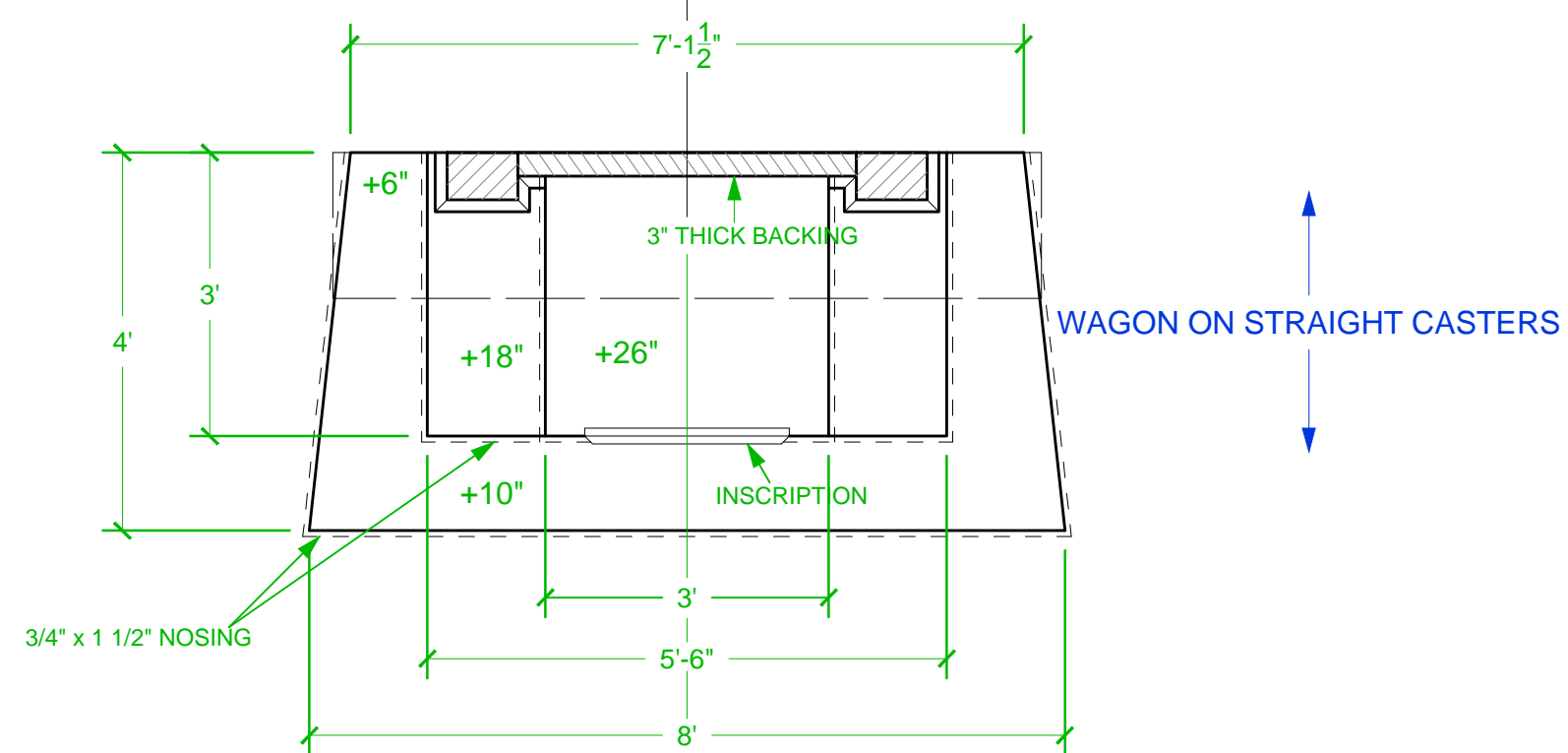
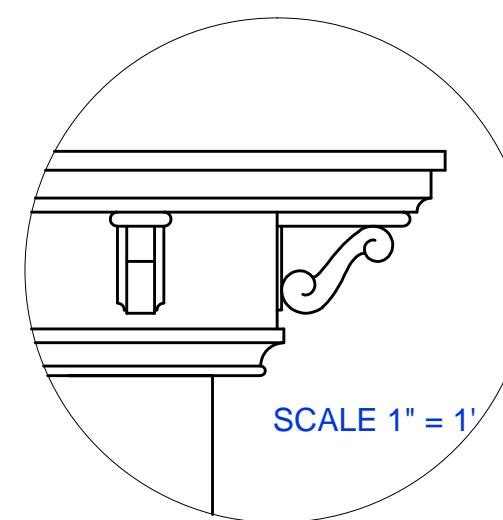


FRONT ELEVATION

SIDE VIEW



PLAN VIEW



SCALE 1" = 1'

WAGON ON STRAIGHT CASTERS

WAGON ON STRAIGHT CASTERS (UP & DOWNSTAGE)

Your Name	
Cad for the Theatre	
STATUE UNIT	
Scale 1/2" = 1'-0"	
ID #	Date:
#1234567	08-08-08