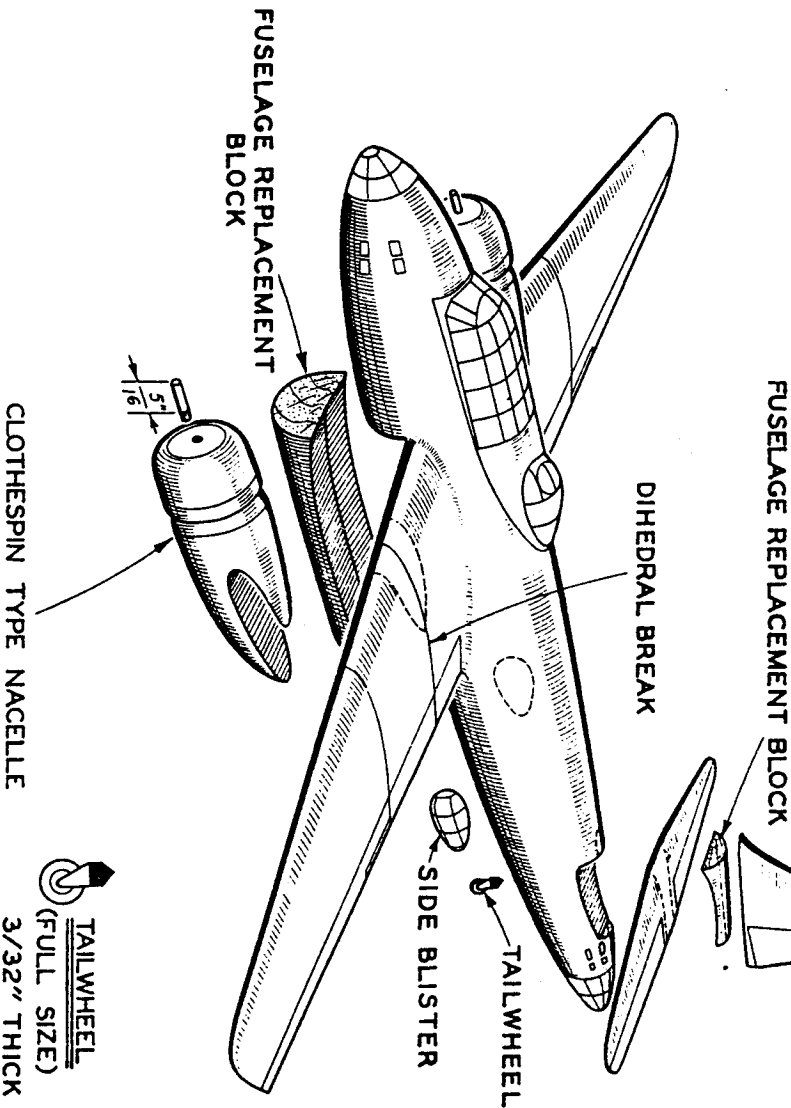
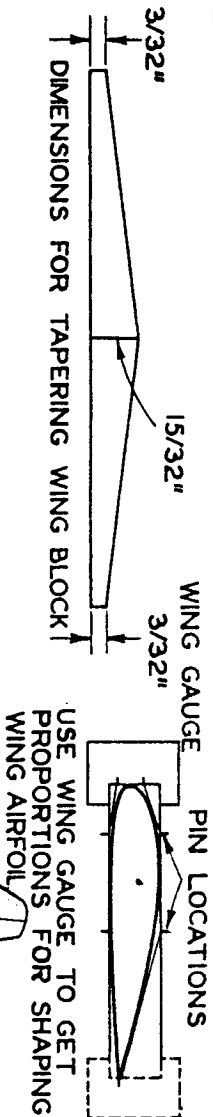


MITSUBISHI '01

Recent accounts from the South Pacific area told of a new Japanese bomber which was supplanting the "97" and resembled a British "Wellington". These drawings of that new type are based on photographs taken by a sailor aboard one of our carriers during a battle in which a flaming bomber tried to crash on the deck but fell in the sea; and on photographs and measurements of '01's which were brought down ashore or on the beach. Span 79' 8³/₈"', length 64'.


Identification

Low-mid wing tapering from root to small tips. Engines project forward even with pilots' windshield, and split over wing, slightly underslung. Fuselage of oval section, deep bodied throughout. Nose and tail turrets and dorsal turret at aft end of crew enclosure. Tailplane similar in shape to wing. Fin-rudder is high, wide and tapering to small top.



BILL OF MATERIALS

| | |
|------------|---|
| Fuselage | 1 ³ / ₈ x2x11 ¹ / ₂ |
| Wing | 1 ³ / ₈ x3x13 ¹ / ₂ |
| Nacelles | 2—1 ⁵ / ₈ x1 ¹ / ₈ x3 ³ / ₄ |
| Tail | 2—1 ⁵ / ₈ x2 ¹ / ₄ x7 ¹ / ₂ |
| Blisters | 2—1 ³ / ₈ x5 ¹ / ₈ x1 ¹ / ₄ |
| Prop. Hubs | 1 ³ / ₈ dia. dowel |

| | | | |
|--|---|---|-------|
| MODEL |  | | MODEL |
| MITSUBISHI T. '01 A.&N.M.B. JAPANESE MEDIUM BOMBER FINAL ASSEMBLY | | | |
| SPAN | 13 - 1/4" | SERIAL NO. | F-8 |
| DATE | 2-23-43 | U.S. NAVY BUREAU OF AERONAUTICS WASH., D.C. | |