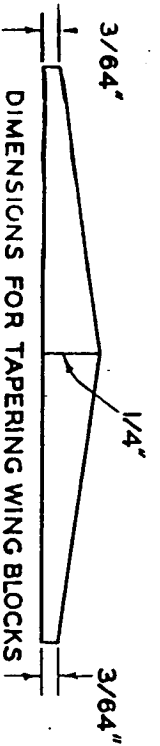


MITSUBISHI '00 ("Zero")

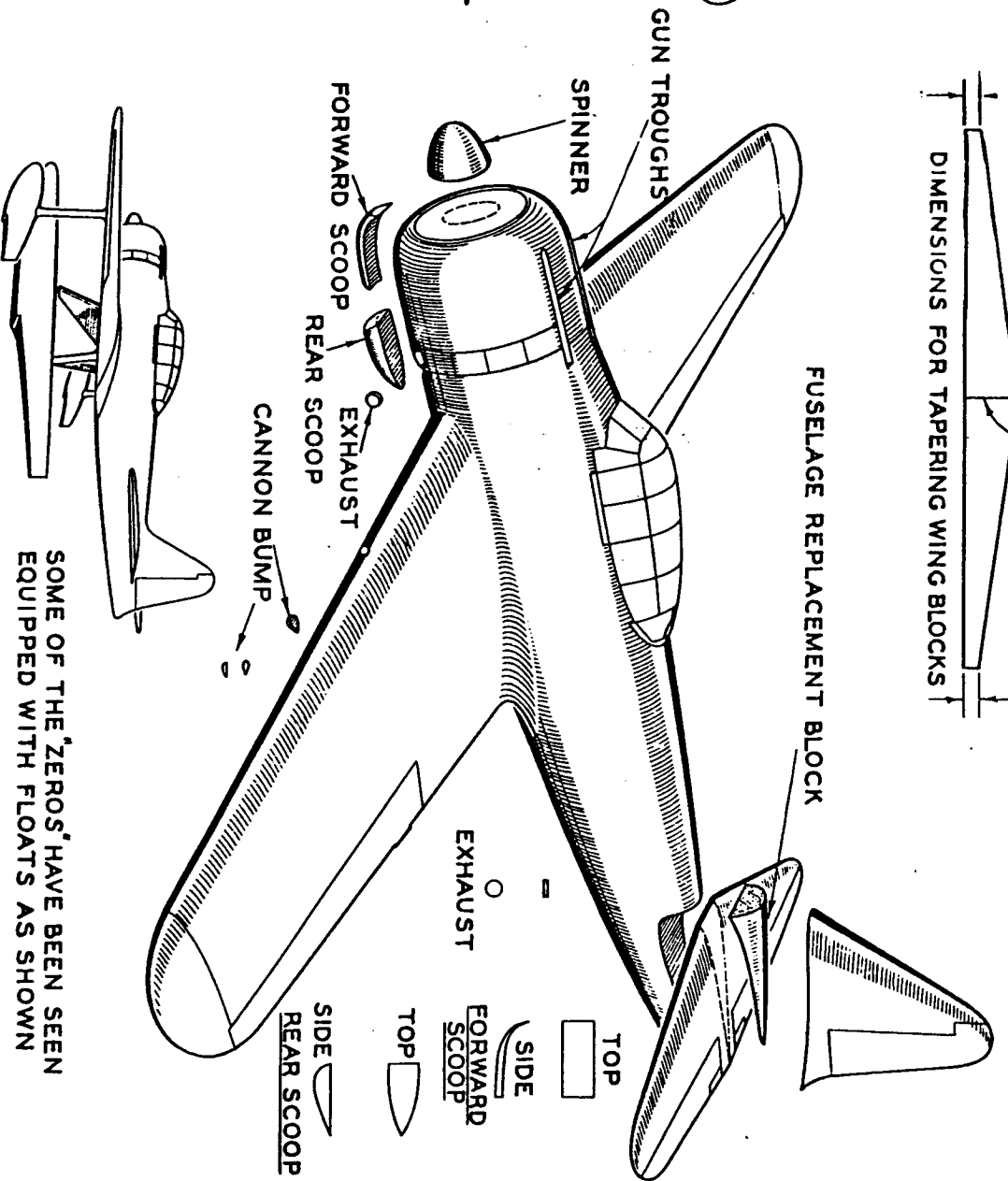
In the "A" group of this series of drawings, number 16 showed the first impression of the Zero based on sketches made at Pearl Harbor Dec. 7, 1941. Photographs taken later in Alaska confirm existence of such a plane but drawings here with are of the more frequently encountered type and are directly from a captured plane. Mitsubishi A-14 twin-row engine of 900 hp. Span 39' 5", length 29' 8".

Identification

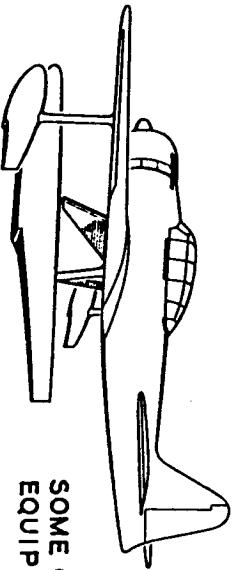
Low wing, tapering to rounded tips. Very small wheels retracting inwards. Large engine cowling with tandem scoops below, large spinner. Round, well streamlined fuselage. Cockpit above wing. Tapering tailgroup.



DIMENSIONS FOR TAPERING WING BLOCKS



SOME OF THE 'ZEROS' HAVE BEEN EQUIPPED WITH FLOATS AS SHOWN



BILL OF MATERIALS

- Fuselage 1x1'4x5'2"
- Wing 1x1'2x6'2"
- Tail 1'2" x 1'4x4"
- Spinner 1/4 dia. dowel

MODEL

MODEL

MITSUBISHI T.'00
 JAPANESE FIGHTER
 FINAL ASSEMBLY



SPAN 6 - 9/16"

SERIAL NO. F - 7

DATE 2 - 23 - 43

U.S. NAVY BUREAU OF AERONAUTICS WASH., D.C.