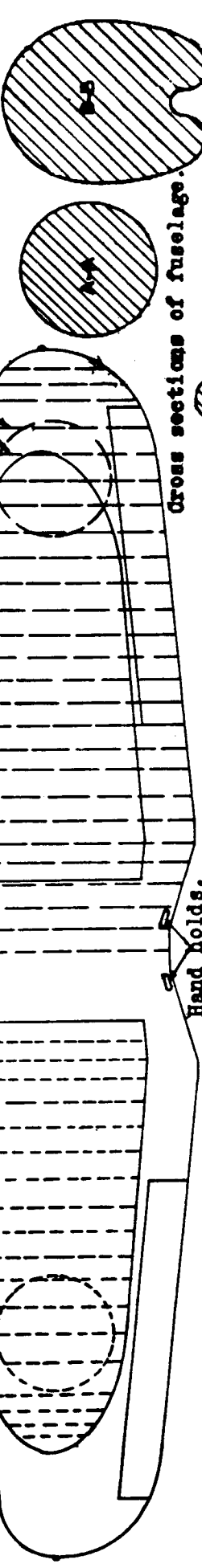
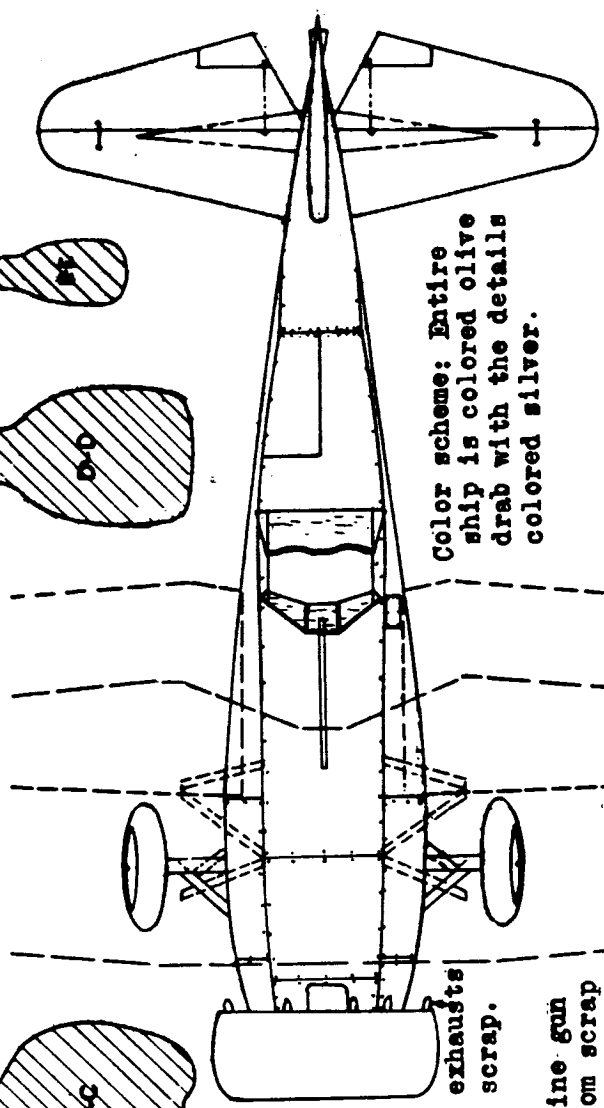
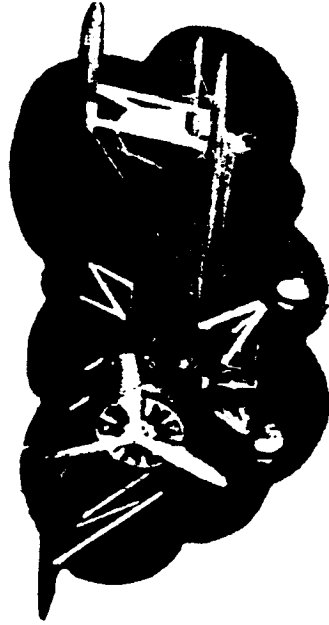


Cut insignia from sheet and cement in-  
to position.



Hand holds.

Cross sections of fuselage.



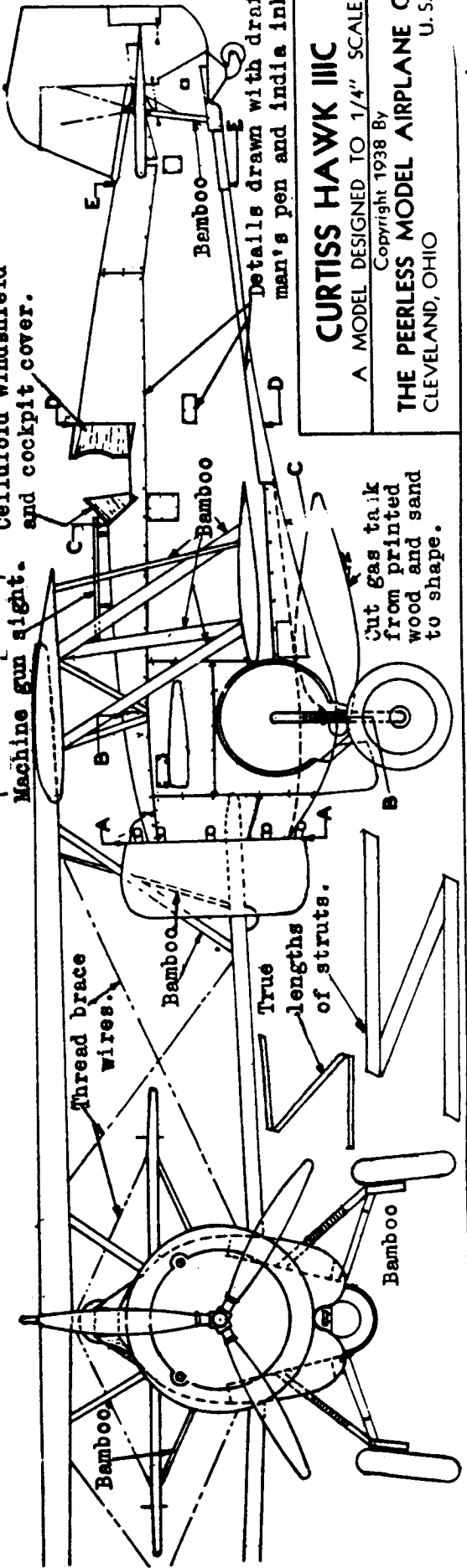
Color scheme: Entire ship is colored olive drab with the details colored silver.

Make exhausts from scrap.

Make machine gun covers from scrap balsa.

Celluloid windshield and cockpit cover.

Machine gun sight.



Details drawn with draftsman's pen and india ink.

**CURTISS HAWK III C**  
A MODEL DESIGNED TO 1/4" SCALE

Copyright 1938 By  
**THE PEERLESS MODEL AIRPLANE CO.**  
CLEVELAND, OHIO U.S.A.

Cut gas tank from printed wood and sand to shape.