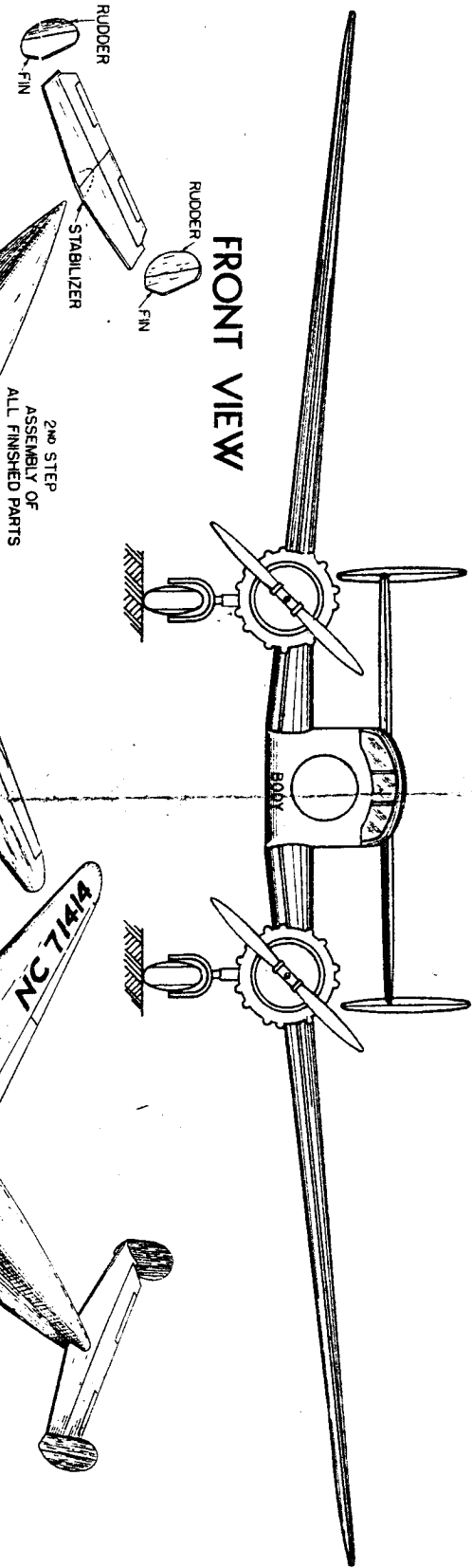
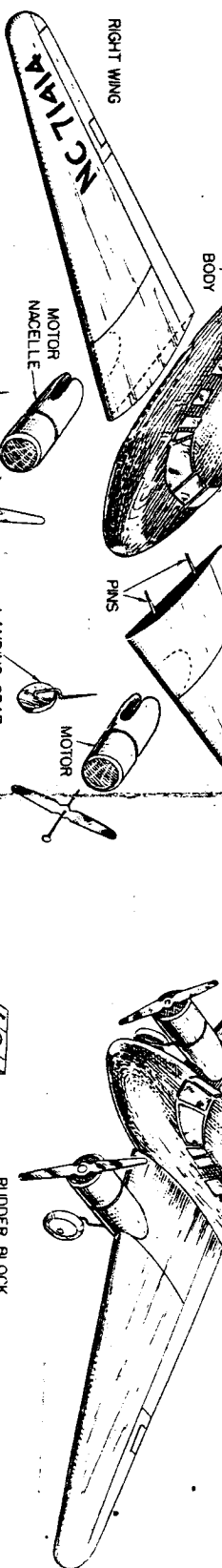


FRONT VIEW



2ND STEP
ASSEMBLY OF
ALL FINISHED PARTS

FINISHED MODEL
FINAL ASSEMBLY



1ST STEP

BODY
MATERIAL: PRINTED BODY PIECE SHOULD BE SHAPED OUT FROM THE SIDE FIRST, THEN FROM THE TOP MAINTAINING THE SHAPE BY CHECKING DIRECTLY OVER THE PLAN VIEW. WINDOWS ARE INKED IN WITH A FINE WRITING OR RULING PEN.

SPECIAL NOTICE

WHEN MAKING FINAL ASSEMBLY NOTE IN PARTICULAR THAT THE VARIOUS PIECES ARE ALL HELD TOGETHER WITH SECTIONS OF PINS WHICH ARE PUSHED INTO EACH PIECE.

WHEELS & PROPELLERS

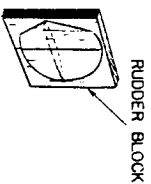
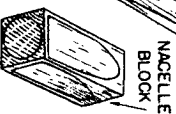
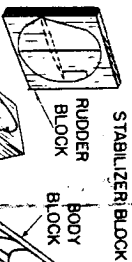
MATERIAL: THESE PARTS ARE FURNISHED COMPLETE, AND IN SOME CASES ARE ALSO PRINTED AS EXTRA ON THE WING BLOCK.

NACELLES

MATERIAL: A SEPARATE PIECE OF Balsa IS FURNISHED FOR THE MOTOR NACELLES. CUT OUT AND CARVE TO GENERAL SHAPE.

STABILIZER
MATERIAL: THIS PART IS ALSO PRINTED ON THE WING SHEET CUT OUT AND SAND TO STREAMLINE SECTION.

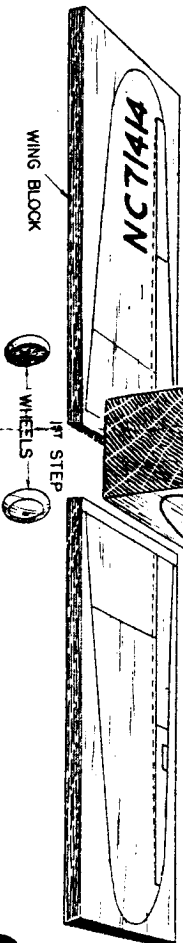
RUDDER
MATERIAL: THIS PART IS PRINTED ON THE WING SHEET CUT TO SHAPE AND SAND TO STREAMLINE SECTION.



1ST STEP
MATERIAL: CHECK ALL PRINTED Balsa WOOD CAREFULLY BEFORE CUTTING TO THE REQUIRED SHAPES. CUT OUT THE VARIOUS PARTS WITH A SHARP KNIFE, BACKED RAZOR OR SCROLL SAW.

2ND STEP
MATERIAL: SANDPAPER NOT SUPPLIED IN KIT BUT A FINE GRADE SHOULD BE SECURED. SAND ALL ROUGH PARTS TO A SMOOTH FINISH BEFORE FINAL ASSEMBLY.

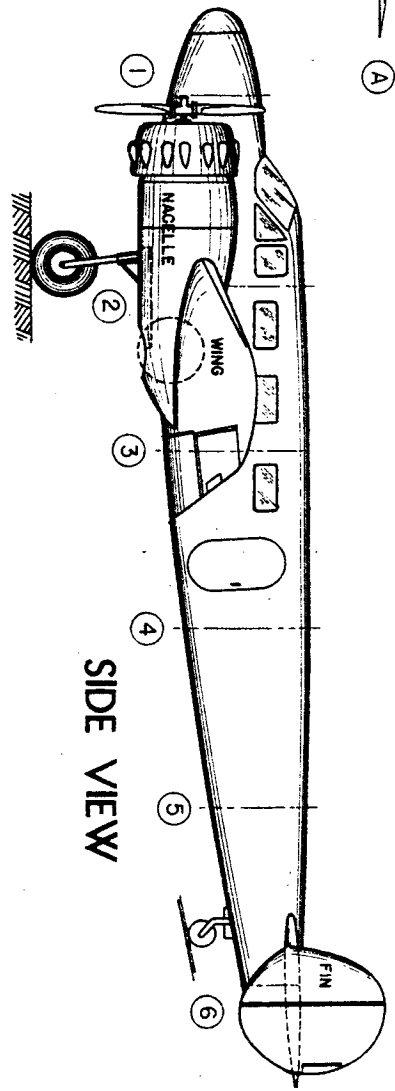
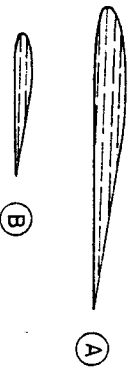
WINGS
MATERIAL: CUT OUT OF PRINTED Balsa SHEET. CARVE AND SAND TO SHAPE, SHOWN BY WING SECTION.



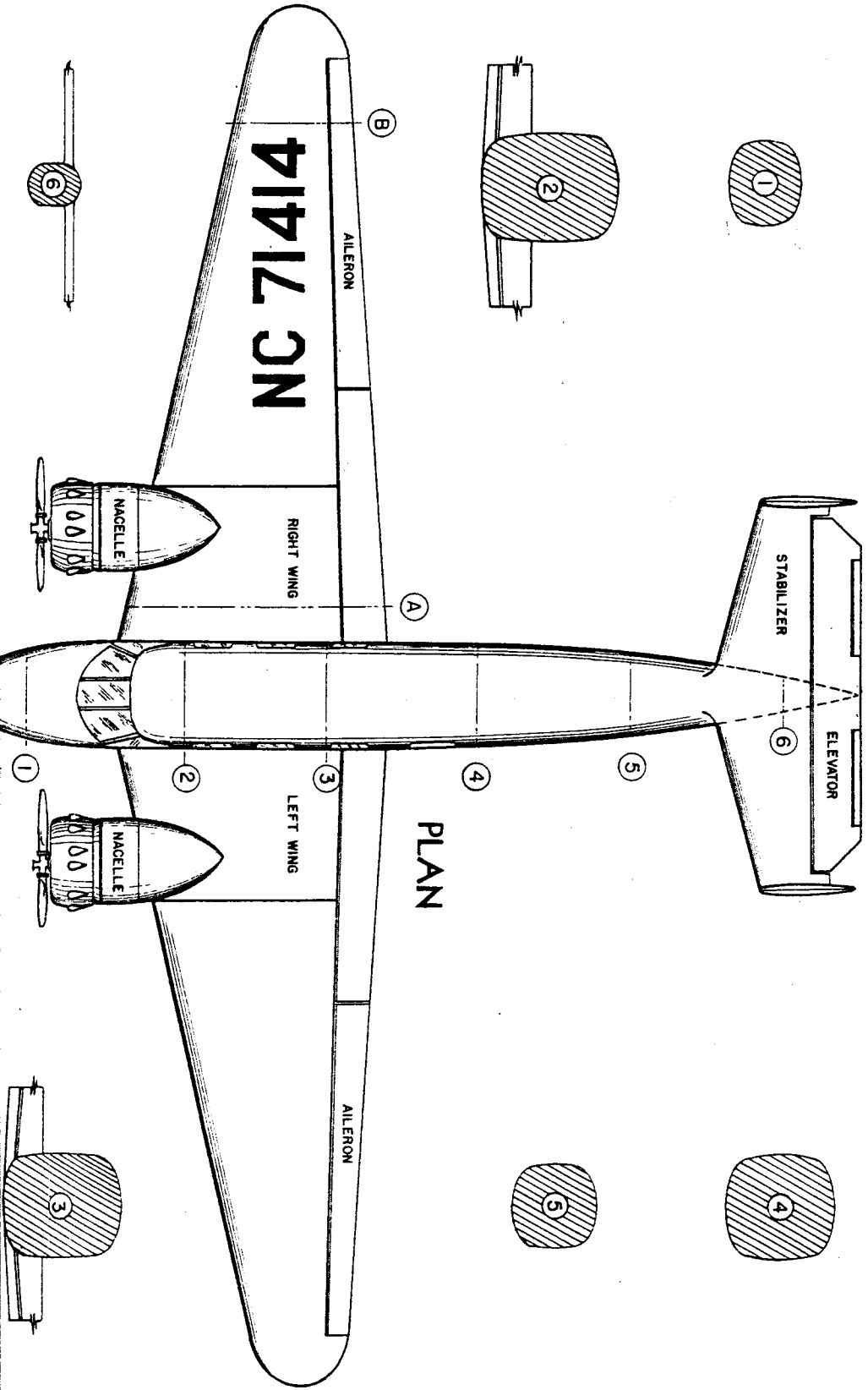
USE LINES BELOW FOR OUTLINING CONTROLS



WING SECTIONS.



SIDE VIEW



PLAN

NC 71414 CN

